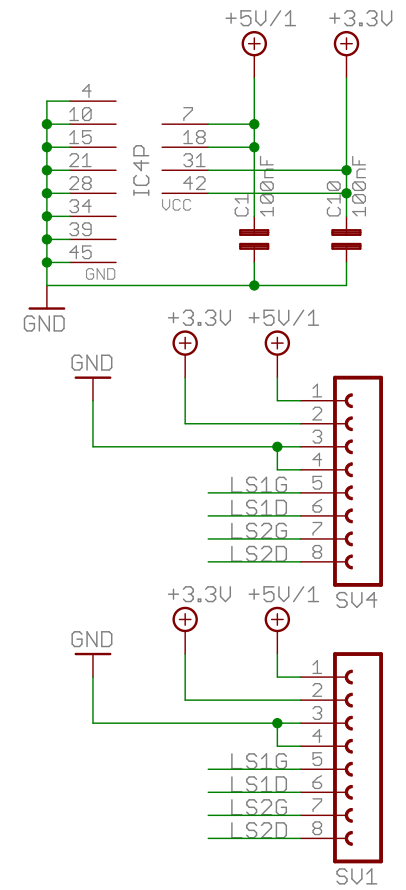


DIR=0: A<-B
DIR=1: A->B
A:2,5V - B:5V



TITLE: jf_level-shift-1.06	
Document Number:	REV:
Date: 21.01.11 18:13	Sheet: 1/1