

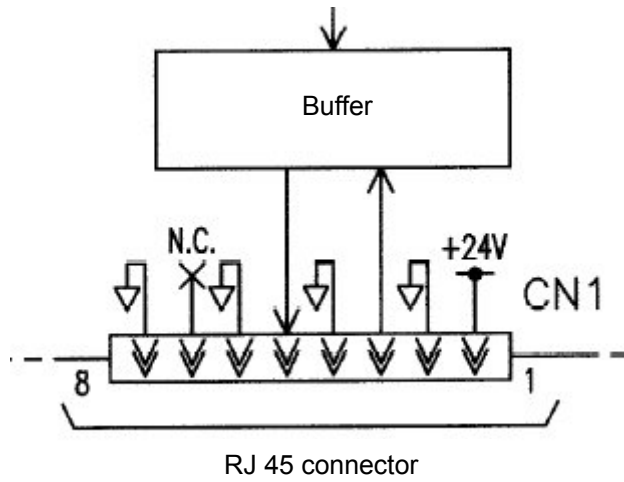
RJ45 connector for TOSVERT VF-S11

[Specifications]

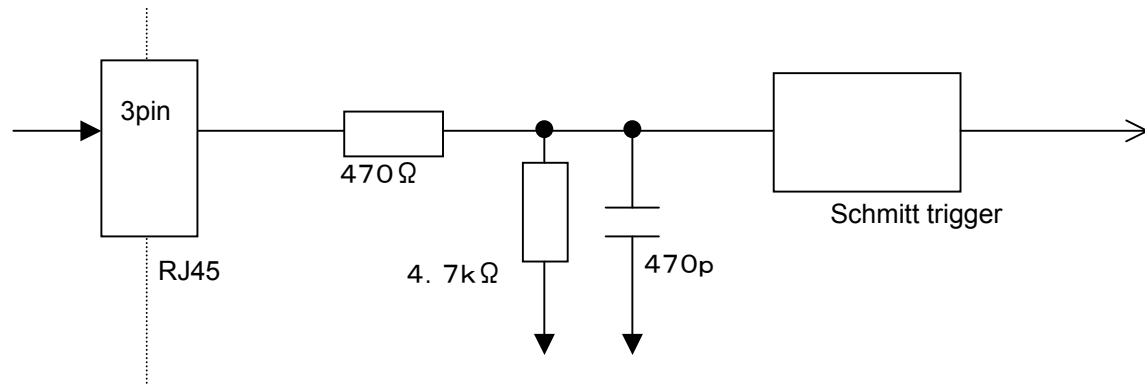
Communication: TTL

Voltage class: 5V

[PIN assignment for RJ45 connector]



[RX(Receive) side]



[TX(Send) side]

