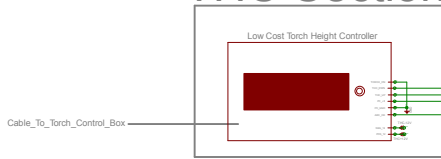
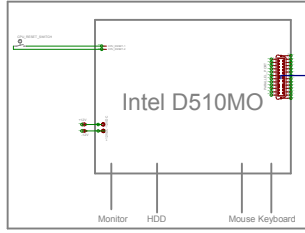


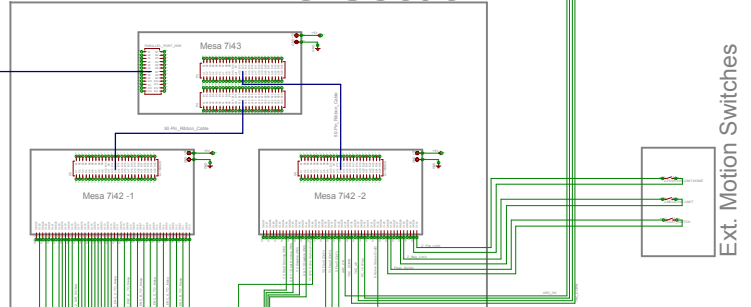
# THC Section



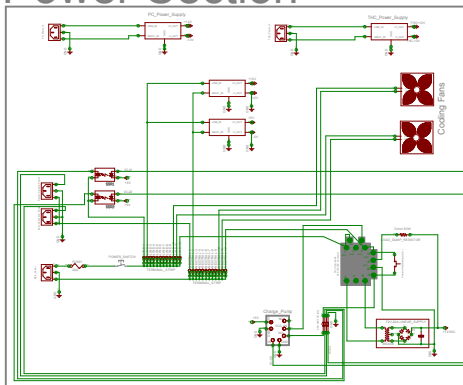
# Control Section



# I/O Section



# Power Section



# Motor Section

