

Sample schematic diagrams

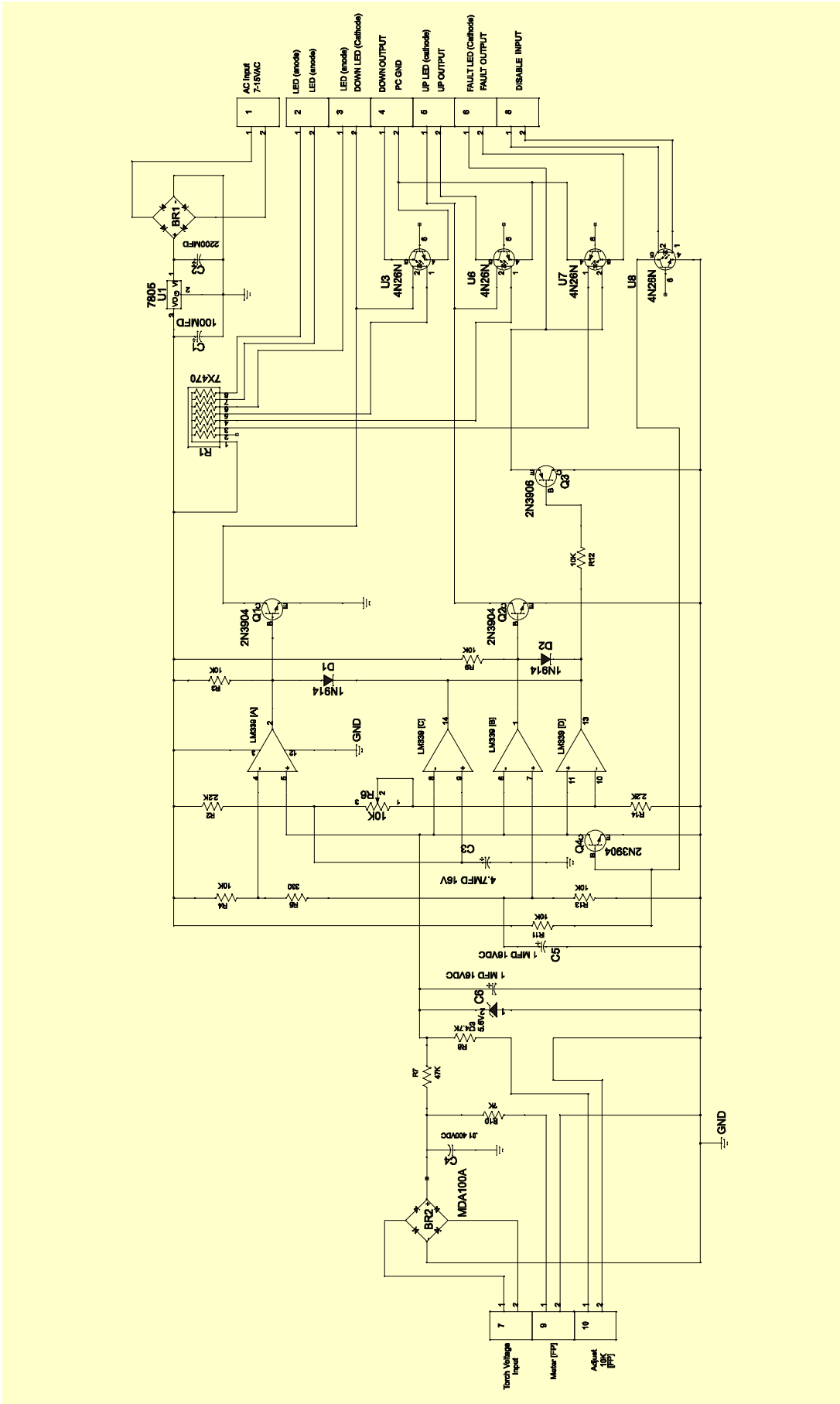


Figure 12.3 – Interface from modified plasma cutter to Mach2 parallel port