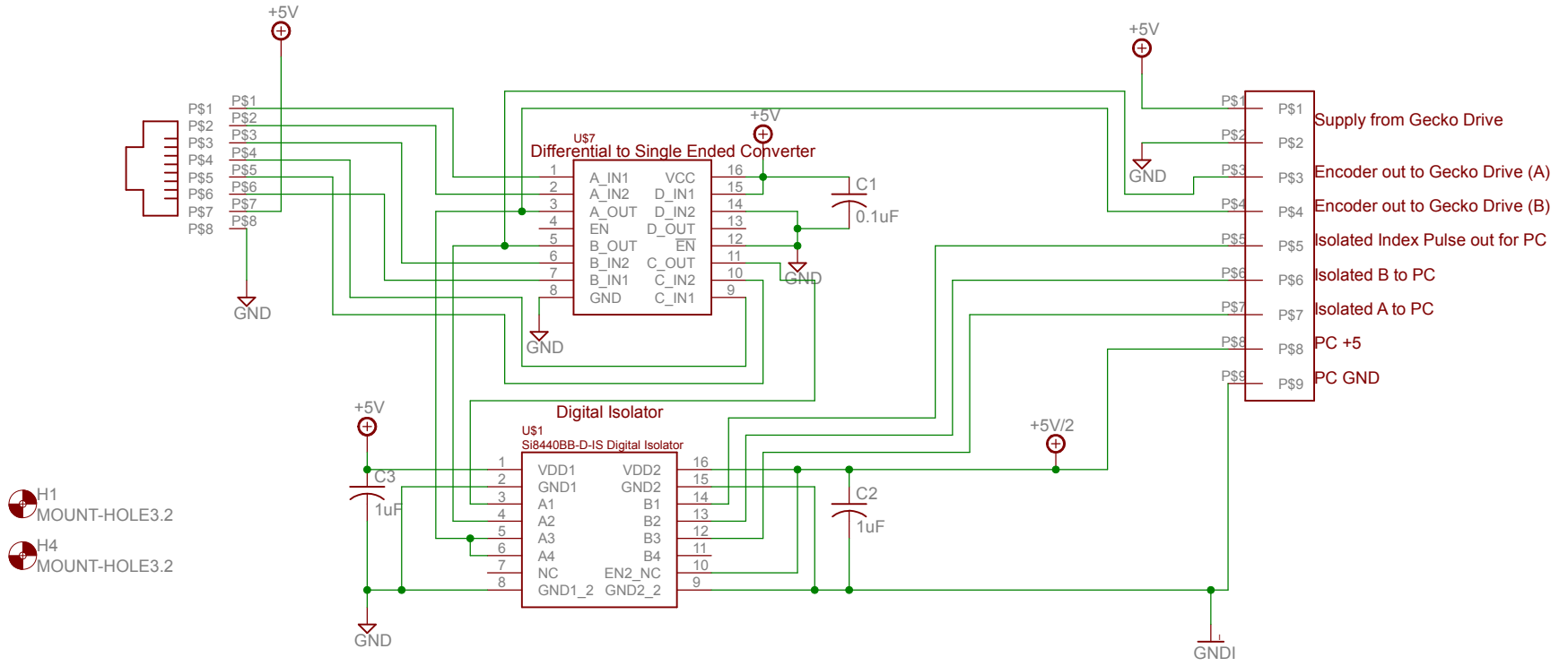


Differential Receiver (Differential to Single Ended Conversion)

2011 - Ann Arbor MechShop LLC

Plasma Table Project



- H1 MOUNT-HOLE3.2
- H4 MOUNT-HOLE3.2

TITLE: EncoderDtoSE	
Document Number:	REV:
Date: 2/12/2012 12:46:03 PM	Sheet: 1/1